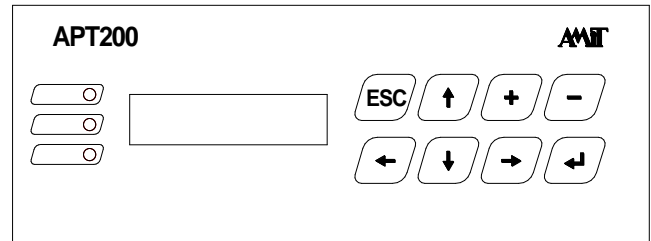


# APT200

Industrial terminal with serial interface

- **Backlit LCD display**
- **Display (2 × 16) characters**
- **3 × LED green / red**
- **RS232, RS485 without GI**
- **Keyboard with eight keys**
- **Ingress protection rate IP55 on a front panel**
- **Parameters setting through DIP switch on a back terminal panel and through configuration menu**
- **Controlling through the interface by ESC sequences**
- **Mounting into switchboard front panel**



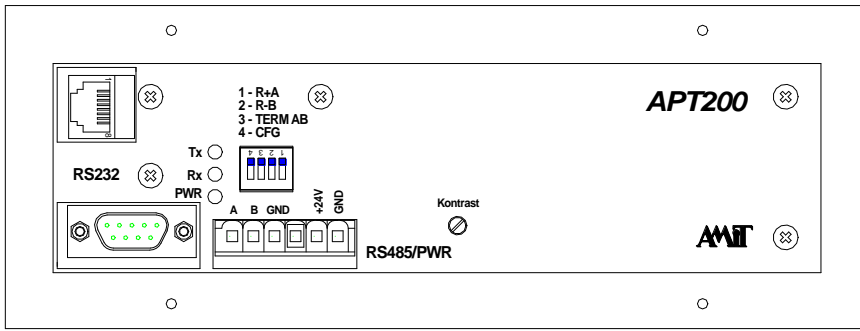
## TECHNICAL DATA

<b>Display</b>	LED-backlit LCD, (2 × 16) characters character (5 × 8) pixels
Character height	5.23 mm
<b>Controlling</b>	Membrane keyboard, 8 keys
Mechanical resistance	Min. 3×10 <sup>6</sup> operations
<b>Communication</b>	
Interface	1 × RS232 (D-Sub DE-9 M or RJ45) 1 × RS485 (connector WAGO 231-303/102-000)
Galvanic isolation	No
Transmission speed	150 bps to 19200 bps
<b>Power supply</b>	19.2 V DC to 28.8 V DC
Power consumption	Max. 50 mA at 24 V DC
<b>Others</b>	
Indication	3 × LED green / red
Ingress protection rate – front panel – back cover	IP55 IP20
Operating temperature range	0 °C to 50 °C
Maximum ambient humidity	< 95 % non-condensing
Weight	700 g
Dimensions (w × h × d)	(208 × 78 × 48) mm

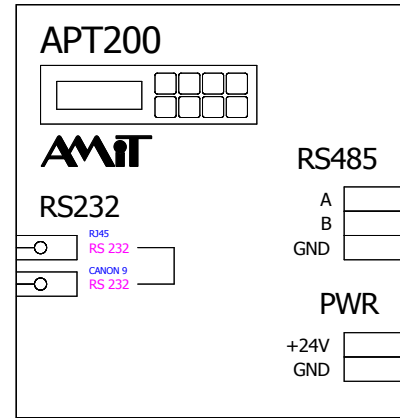
## ORDERING INFORMATION

<b>APT200</b>	Industrial LCD terminal, connectors WAGO
<b>KABEL 232P</b>	Cable for connection to control systems AMiT, except for systems AMiNi
<b>KABEL 232RR</b>	Cable for connection to control systems of series AMiNi

## LOCATION OF TERMINALS



## RECOMMENDED DRAWING SYMBOL



### RS232 WIRING

RJ45	D-Sub DE-9	Signal	Signal type
6	2	RxD	Input
5	3	TxD	Output
4	5	GND	-
7	7	RTS	Output
8	8	CTS	Input

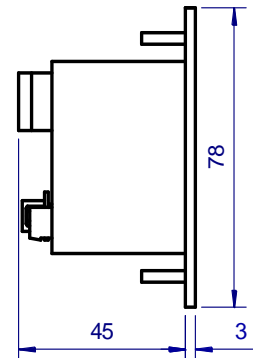
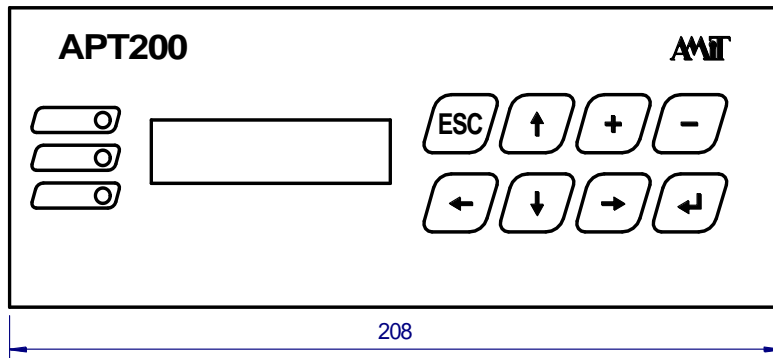
### RS485 WIRING

Terminal	Signal
1	A
2	B
3	GND (485)

## DESCRIPTION OF DIP SWITCHES

SW1	Description
1	Resistor to +5 V for wire A (ON – connected)
2	Resistor to GND for wire B (ON – connected)
3	Terminating resistor for line AB (ON – connected)
4	Configuration mode – menu on display

## MECHANICAL DIMENSIONS



Data provided in this datasheet are informative only. Detailed information can be found in operational manual ([apt200\\_g\\_en\\_xxx.pdf](#)). Documentation can be downloaded from [www.amitation.com](http://www.amitation.com).