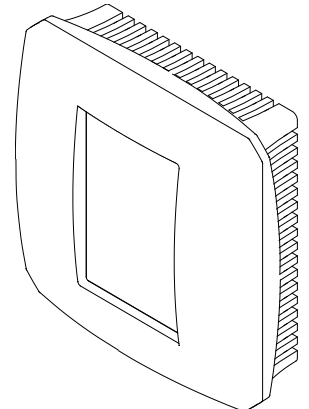


AMR-CU70B/xx

Programmable on-wall controller

- Graphical black & white LCD
- Controlling through touchscreen
- RS485 communication interface (ARION/MODBUS)
- Room temperature measurement
- 2 × RTD input for resistive temperature measurement
- 2 × digital output
- 1 × analogue output 0 V to 10 V
- On-wall mounting
- Power supply 24 V DC



TECHNICAL DATA

FLASH/RAM/EEPROM	512 KB/128 KB/32 KB
RAM (4 kB) + RTC back-up	Replaceable lithium battery CR1632
Display	Graphic black & white LCD display, (64 × 132) pixels
Display area	(38 × 58) mm
Backlight / lifetime	LED / min. 50 000 hours ¹⁾
Temperature measurement	Electronically
Measurement range	-55 °C to +125 °C ²⁾
Temperature measurement precision	±0,5 °C (0 °C to +50 °C)
Inputs	2 × RTD
RTD inputs	Dry contact / Ni1000 / PT1000
Galvanic isolation of inputs	No
Outputs	2 × DO + 1 × AO
Digital outputs	24 V / 0.3 A DC
Analogue output	0 V to 10 V
Galvanic isolation of outputs	No
Control	Resistive touch panel
Communication	RS485
Galvanic isolation	No
Number of segment units	256
Power supply	10 V DC to 30 V DC
Maximum power consumption	40 mA at 24 V DC
Others	
Connection points	WAGO 252-10x
Ingress protection rate	IP20
Operating temperature range	-10 °C to 50 °C
Maximum ambient humidity	< 95 % non-condensing
Mounting	On-wall, on the KU68 installation box
Weight	0.10 kg
Dimensions	(90 × 90 × 32) mm
Programming	DetStudio / EsiDet

¹⁾ Luminance drop to 50 %.

²⁾ Parameter itself, the working temperature range of on-wall controller is lower.

ORDERING INFORMATION

AMR-CU70B/xx	On-wall controller, battery is included
MN1	Cover removal tool

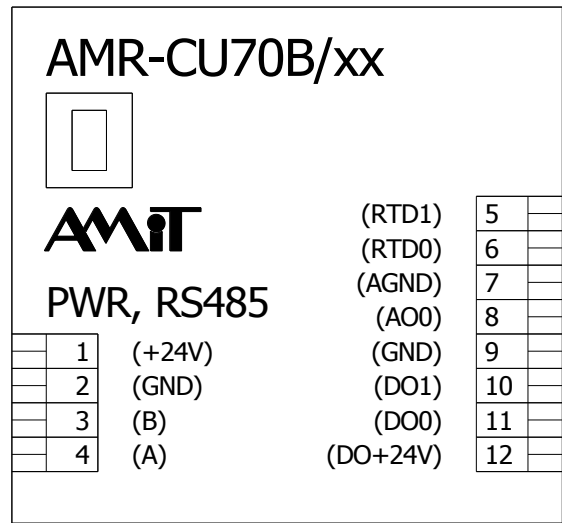
Label	Rear cover colour	Front cover colour
AMR-CU70B/01	Grey	White
AMR-CU70B/02	Ivory	Ivory
AMR-CU70B/03	Grey	Grey
AMR-CU70B/04	White	White

Note: small recess on the surface and colour inhomogeneity are not a reason for warranty claim.

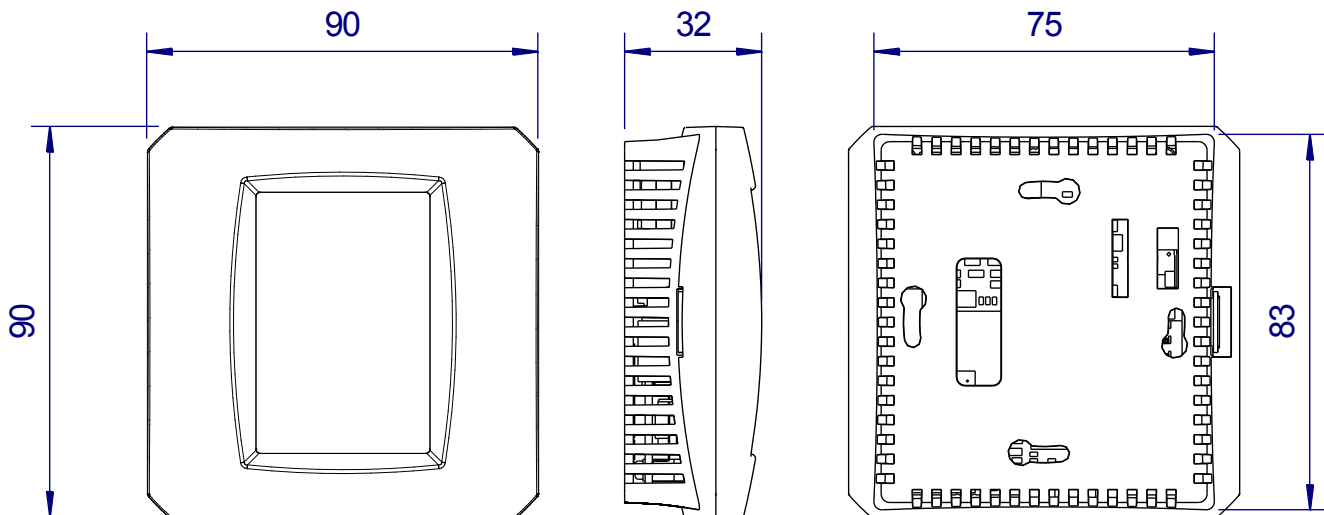
TERMINALS IDENTIFICATION

Terminal	Signal	Description
1	+24V	Power supply +24 V DC
2	GND	Ground
3	B	RS485 interface, signal B
4	A	RS485 interface, signal A
5	RTD1	Resistive input 1
6	RTD0	Resistive input 0
7	AGND	Analogue ground
8	AO0	Analogue output 0
9	GND	Digital ground
10	DO1	Digital output 1
11	DO0	Digital output 0
12	DO+24V	Power supplying input of digital outputs

RECOMMENDED DRAWING SYMBOL



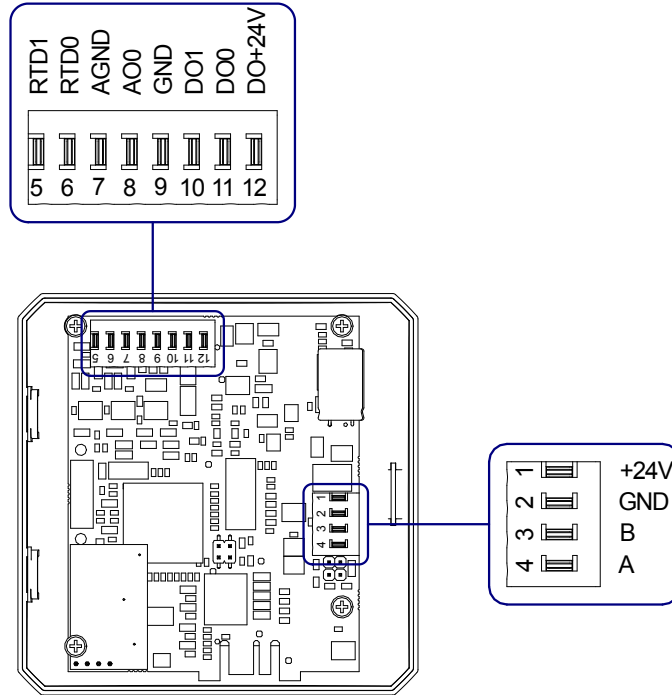
MECHANICAL DIMENSIONS



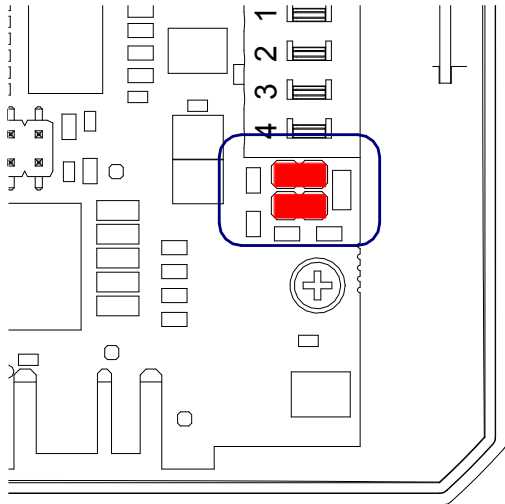
AMR-CU70B/xx

Programmable on-wall controller

TERMINALS LOCATION



RS485 CONFIGURATION JUMPERS



Each unit on RS485 network must have properly set the terminating resistors Configuration jumpers, located under the cover, near the RS485 connector, are used for termination setting. If jumpers are placed, terminating resistor is connected. The terminal stations must have always connected terminating resistors, intermediate stations – disconnected.

Data provided in this datasheet are only informative. Binding detailed information can be found in operational manual ([amr-cu70bxx_g_en_xxx.pdf](#)). Documentation and examples can be downloaded from www.amitautomation.com.