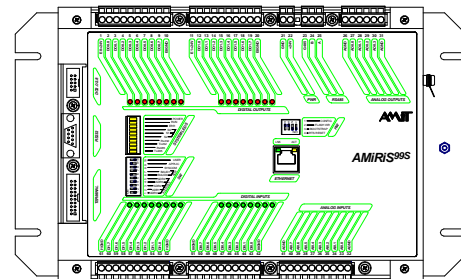


AMiRiS99S

Compact Control System

- 16 x digital output 24 V / 0.5 A with GS
- 16 x digital input 24 V with GS
- 8 x analogue input U / I / Ni1000
- 0 / 2 / 4 x analogue output U/I
- 9 x relay output (on AREL7S2P-X module)
- RS232, 10/100 Mbps Ethernet interface
- Optionally RS485 / CAN / M-BUS / RS232
- APT130 terminal (4 x 20 characters) can be connected



TECHNICAL DATA

CPU	ST10F269
FLASH memory	256 + 1024 KB
RAM memory (battery back-up)	1024 KB
Inputs	
Digital inputs	16 x 24 V AC/DC
Galvanic separation of inputs	Yes *)
Analogue inputs	8 x 0 to 10 V DC / 0 to 5 V DC / 0 to 20 mA DC / Ni1000
Outputs	
Transistor digital outputs	16 x 24 V / 0.5 A DC
Galvanic separation of outputs	Yes *)
Relay digital outputs	9 x on AREL7S2P-X module
Analogue outputs with the AM-AO2U module with the AM-AO2I module	Max. 4 x **) 0 to 10 V DC, max. load 10 mA 0 to 20 mA DC, max. impedance 500 Ohm
Communication	
RS232 communication interface	1 x CANON connector
Ethernet interface	1 x 10/100 Mbps, RJ45 connector in accordance with IEEE802.3
Optional communication interface	RS485 (with AM-RS485 module) CAN (with AM-CAN module) RS232 (with AM-RS232 module) – only Rx, Tx M-BUS (with AM-MBUS module)
Power supply	
Power consumption (without outputs)	24 V DC ±20 % Max. 250 mA at 24 V DC
Others	
Signal connection	WAGO cage clamp connectors
Cover protection rate	IP20, metal cover
Operating temperature AMiRiS99S	0 to 70 °C
Operating temperature AMiRiS99S/I2	-20 to 70 °C
Max. ambient humidity	< 95 % non-condensing
Weight	1.9 kg
Dimensions (w x h x d)	316 x 193 x 50 mm

*) Insulation strength 500 V AC / 1 minute, galvanic separation may not be used for safe and unsafe parts separation.

**) Max. 2 modules, totally 4 outputs.

Notice: AMiRiS99S is supplied with full WAGO connector set.

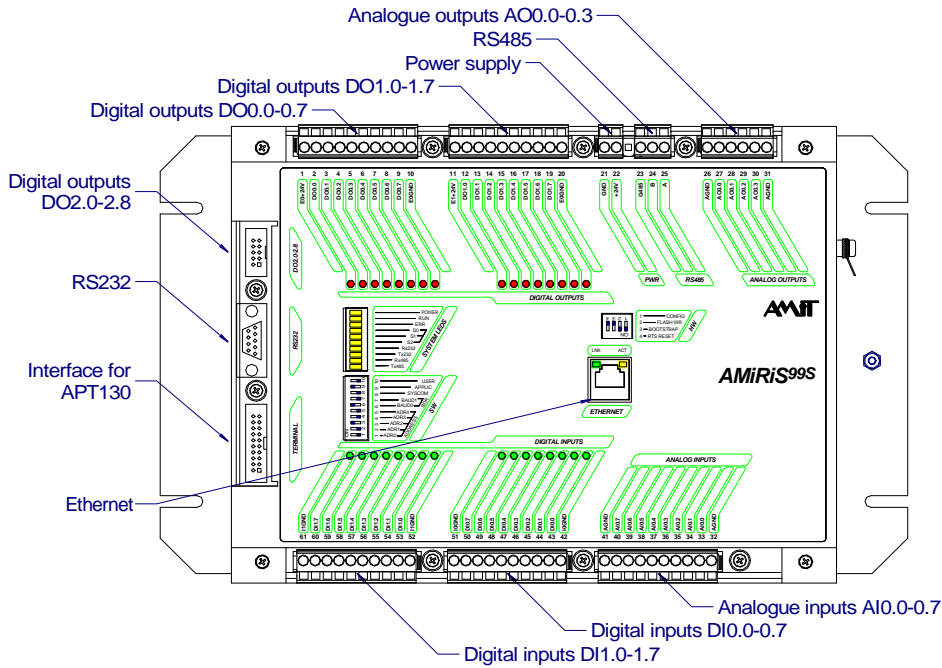
RS485 / CAN / M-BUS / RS232 and analogue output modules have to be ordered separately.

Analogue inputs and outputs are not galvanically separated.

ORDERING INFORMATION

AMiRiS99S	Control system, WAGO231 connectors, user's manual, warranty card
AMiRiS99S/I2	AMiRiS99S/I2 , operating temperature -20 to 70 °C
AM-RS485	RS485 interface module with galvanic separation
AM-RS232	RS232 line module without galvanic separation, only Rx and Tx signals
AM-CAN	CAN interface module with galvanic separation
AM-MBUS/1-3	M-BUS interface module with galvanic separation
AM-AO2U	Two analogue outputs module 0 to 10 V DC (max. 2 modules)
AM-AO2I	Two analogue outputs module 0 to 20 mA DC (max. 2 modules)
KABEL 232P	PC to AMiRiS99 connecting cable, CANON 9 (male) / CANON 9 (female), 2 m

CONNECTORS LOCATION



RECOMMENDED DIAGRAM SYMBOL

